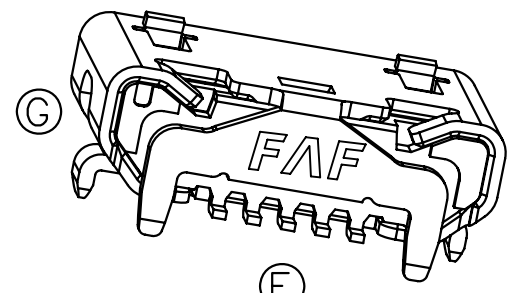
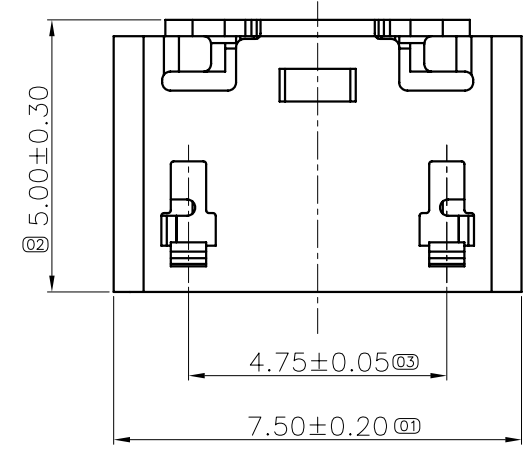


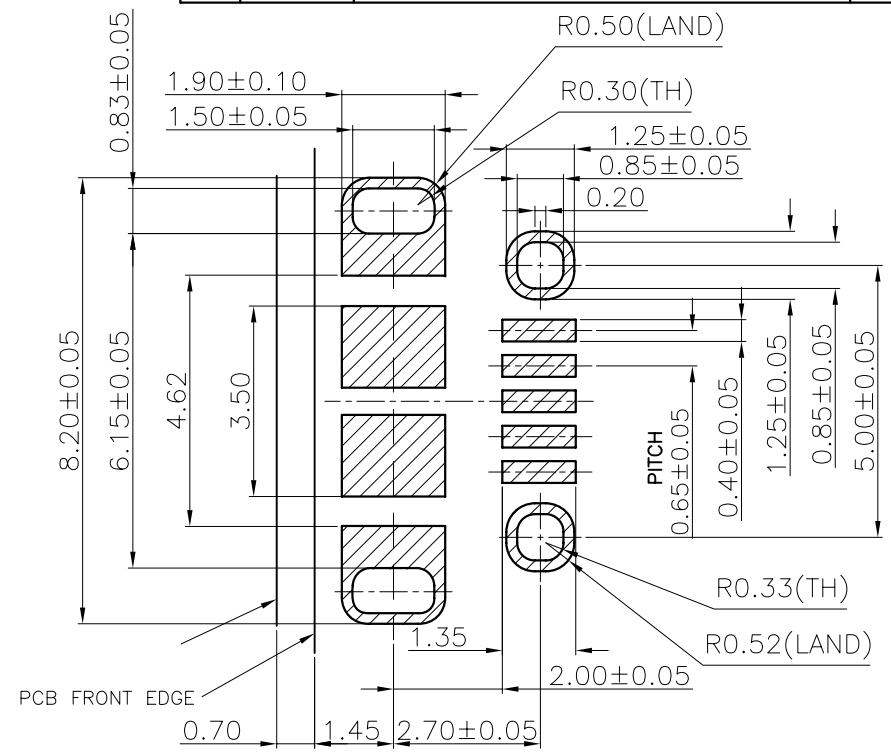
REV	ECN NO	DESCRIPTION	DATE	APPD
C	PECN1308007	铁壳增加F标示	2013.08.13	谭林红
D	PECN1312007	BBK客户要求变更铁壳Tin电镀规格由: 50~120u"变为20~60u"	2013.12.12	谭林红
E	PECN1403001	依ECR-E1403001要求牛角增加倒角	2014.03.22	谭林红
F	PECN140507	铁壳修改牛角宽度, 成品图修改与实物相符	2014.05.09	谭林红
G	PECN1406016	塑件增加凹槽区分大电流产品 取消铁壳F标示	2014.06.16	谭林红
H	PECN1501013	根据营业ECR F1501005增加23#尺寸5.00±0.15焊脚管控	2015.01.26	周冬方
J	PECN1505004	图面整理	2015.05.07	周冬方

A

A



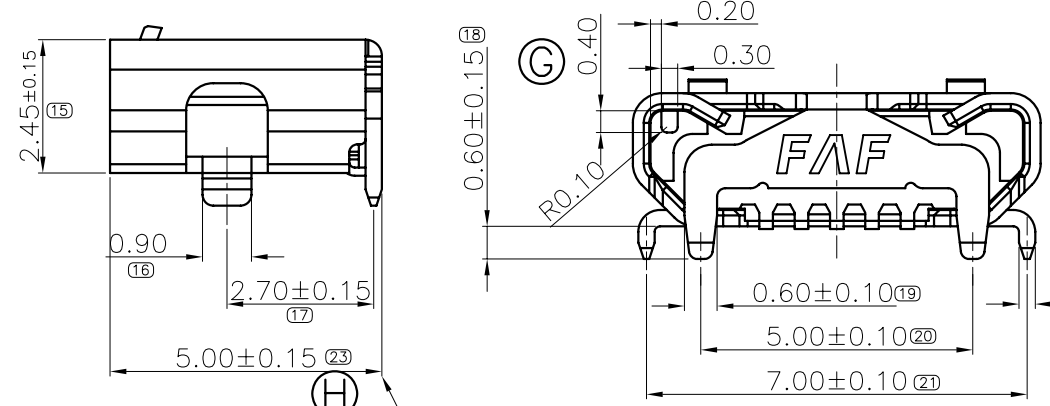
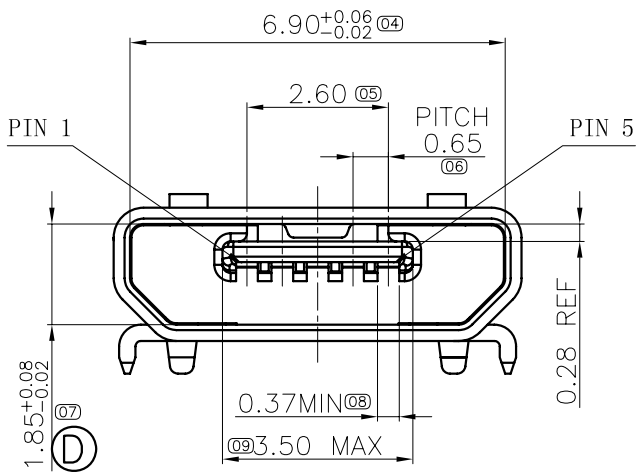
3D VIEW



RECOMMENDED PCB LAYOUT
TOP VIEW (TOLRANCE:±0.05)

B

B



焊脚尺寸

NOTE:

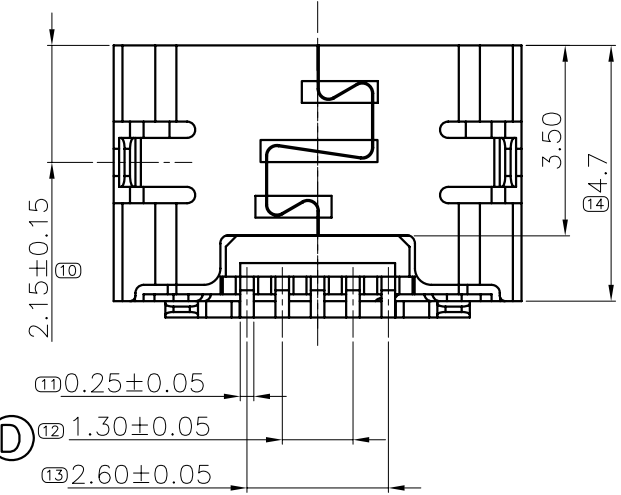
- MATERIAL:
HOUSING: HIGH TEMP. THERMOPLASTIC,LCP E471i
BLACK COLOR, UL 94V-0;
TERMINAL: COPPER ALLOY,C7025 T=0.15mm;
SHELL: STAINLESS STEEL,SUS 301 1/2H T=0.30mm; **J**
- PLATING:
TERMINAL: NICKEL 50~120u" UNDER PLATED OVER ALL;
G GOLD 30u" Min PLATED AT CONTACT AREA;
GOLD FLASH PLATED AT SOLDER TAIL AREA;
D SHELL: NICKEL 50~120u" UNDER PLATED OVER ALL;
MATTE TIN 20~60u" ON THE ALL.
- TAIL&NAIL COPLANARITY 0.08mm MAXIMUM.
- PERFORMANCE:
CONTACT RESISTANCE: 40mΩ. Max.
DWV: 100V AC FOR 1MINUTE;
INSULATION RESISTANCE: 500MΩ. Min.
MATING FORCE: 25N Max.
UN-MATING FORCE: 8-25N.
DURABILITY: 10000 CYCLE Min.

C

C

D

D



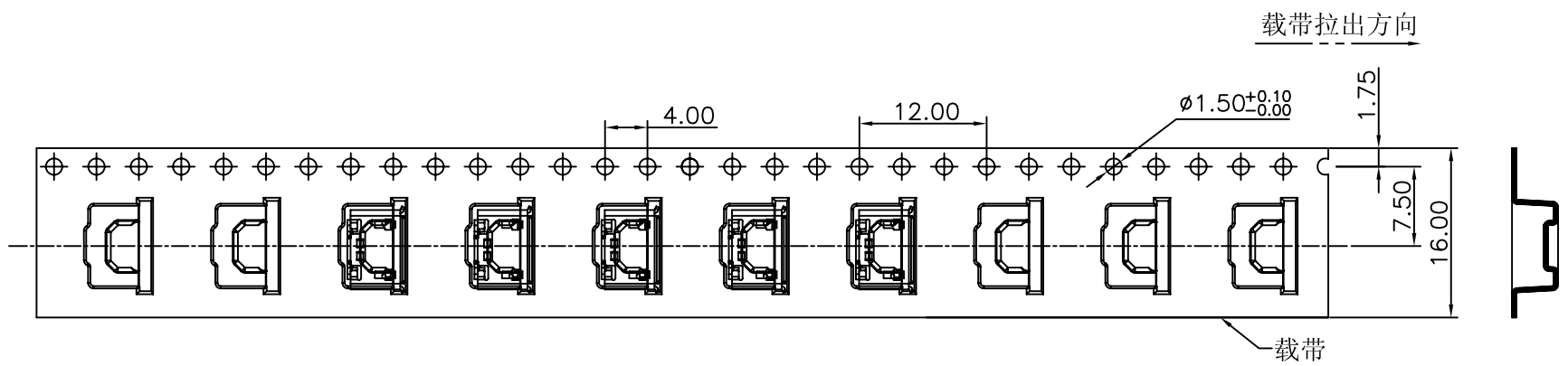
EXTEND USE		MICRO USB 5P	TITLE	MICRO USB 5P CUST'DWG		DWG NO C-3.061A3	
MICRO USB 5P							
GENERAL TOLERANCE		MATERIAL	APPD	P/N:		3.061A3-005-7R0	
DIMENTION		QTY	CHD	SHEET		SCALE	REV
±0.30	±3°		DRN	1/1	1:1		J
.0 ±0.25	.0 ±2°		孙海坤				
.00 ±0.20	.00 ±1°		2015.05.07				
.000 ±0.10							

E

E

A4

REV	ECN NO	DESCRIPTION	DATE	APPD
B	PECN1307005	增加料号3.061A1/A3	2013.07.03	谭林红
C	PECN1310003	根据客户要求变更卷盘/外箱规格及包装数量	2013.10.25	谭林红
D	PECN1312007	外箱包装数量有误进行修改	2013.12.12	谭林红
E	PECN1403001	根据品证ECR E1402004变更	2014.03.03	谭林红

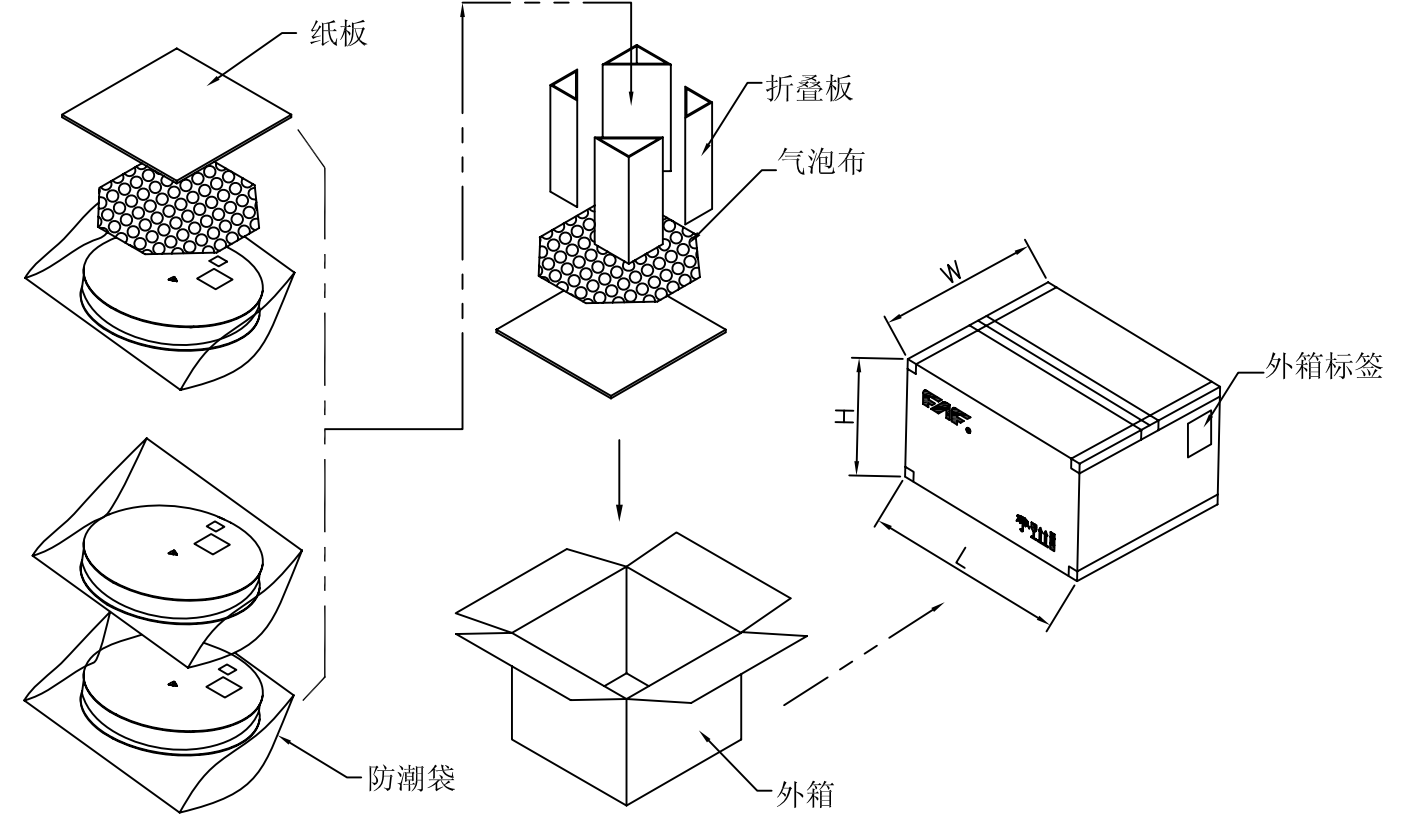
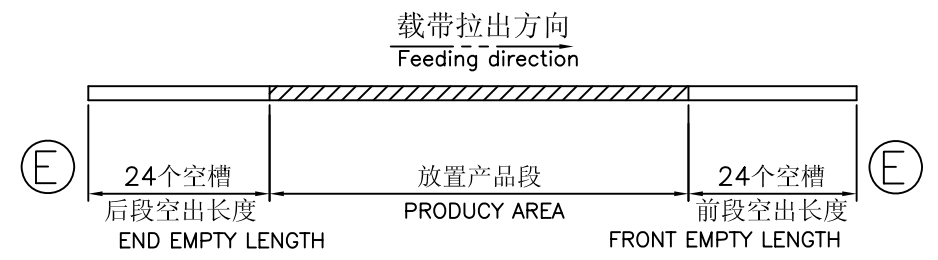
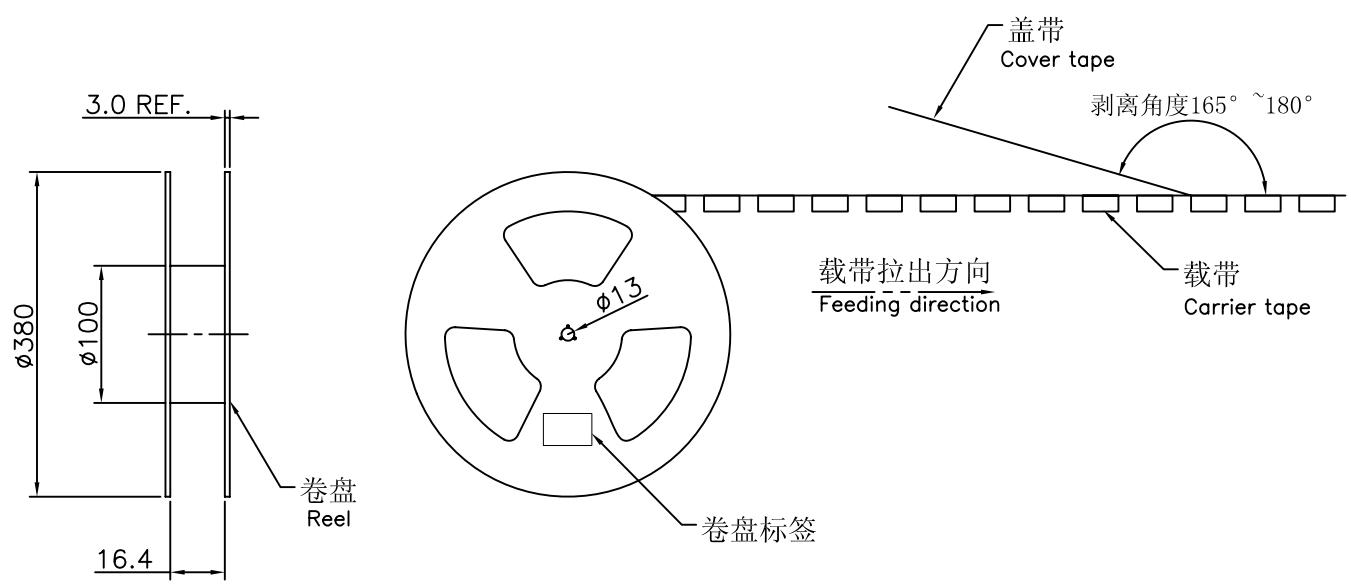


说明:

- 数量:
 - 卷盘包装: 如下料号表;
 - 外箱包装: 如下料号表;
- 盖带与载带剥离力: 20~75gf;
- 剥离角度: 165°~180°; 剥离速度: 300mm/min.
- 来料、生产及包装运输过程必须满足FAF JH-GP-213《环境管理物质限用作业程序》要求.

料号明细

3.061A3-005-7R0	FAF	30u"	1800PCS/卷 21600PCS/箱
3.061A1-005-7R0	FAF	30u"	
3.061A1-005-5R0	FAF	15u"	1000PCS/卷 9000PCS/箱
3.061A0-005-7R0	FAF	30u"	
3.061A0-005-5R0	FAF	15u"	
3.061A0-005-1R0	FAF	1u"	
料号	MARK	接触区镀金说明	包装数量



EXTEND USE		TITLE		DWG NO	
Micro USB 5Pin		3.061A0 客户包装图		C-3.061A0&1&3-P	
GENERAL TOLERANCE		MATERIAL		P/N: (见表格)	
DIMENTION		QTY		SHEET	
ANGLES		FINISHED		SCALE	
. ±3	. ±2°	DRN 孙海坤 2014.03.03		1/1	
.0 ±0.25	.0 ±1°			N/A	
.00 ±0.20	.00 ±0.5°			④	
.000 ±0.10				REV E	